

NEPTUN I

Sole cleaning unit
Art.-No.: 84-620



Assembly and operating instructions

Please read the instruction carefully before assembling and putting into operation. Keep instruction for future reference.

Contents

1. General
2. Function
3. Installation
4. Water connection
5. Water drainage
6. Power connection
7. Replacement of disinfectant tank
8. Metering pump adjustments
9. Initial start-up
10. Normal operation
11. Safety instructions
12. Fuse replacement in metering pump
13. Cleaning
14. Maintenance
15. Warranty
16. Troubleshooting
17. Spare parts / service
18. Circuit diagram

1. General

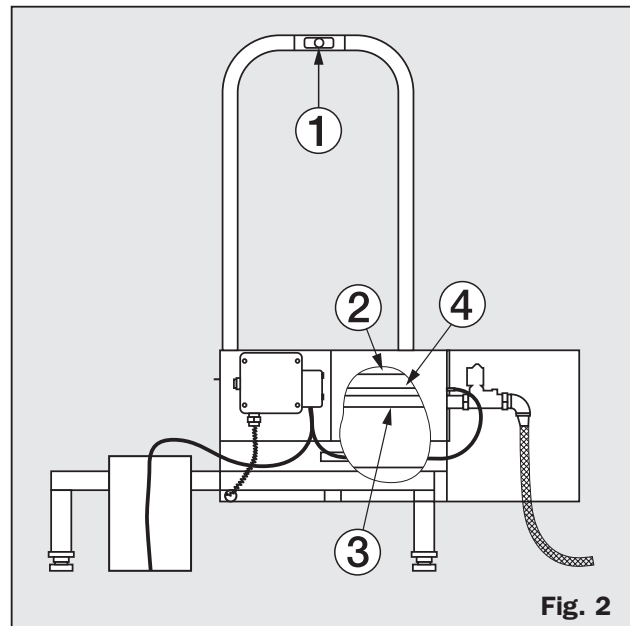
The HEUTE machine Neptun I cleans and disinfects soles of boots, working and safety shoes.

2. Function

(cf. fig. 2)

Pressing the safety push button (1) starts the wheel brush (2) while water (3) and disinfectants (4) will be sprayed onto the rotating brush.

This way cleansing and disinfection of the soles will take place at the same time.



3. Installation

Having placed the machine on site it needs to be aligned horizontally.

By screwing / unscrewing the threaded base feet up to 15 mm of ground unevenness can be compensated.

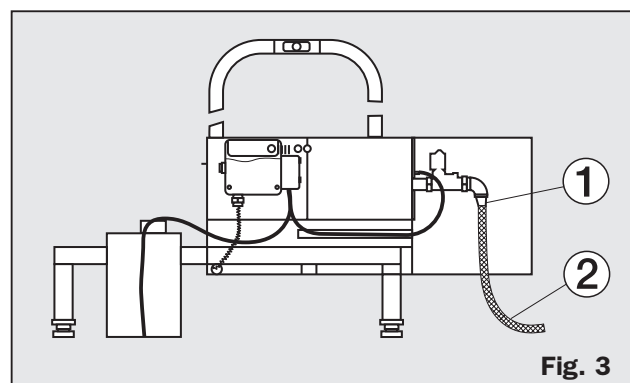
4. Water connection

(cf. fig. 3)

The customer is responsible for providing water supply as well as connecting the hose.

For wet cleaning cold or hot water (approx. 45°C) can be used - max. pressure is 3 bar.

- Lift up protective cover.
- Connect 1/2" hose of sufficient length without bending it and make sure to use pressure- and temperature-resistant hose.
- Attach hose (2) to nozzle (1) of solenoid valve up to end stop and fix with hose clamp.



NEPTUN I

Sole cleaning unit

Art.-No.: 84-620

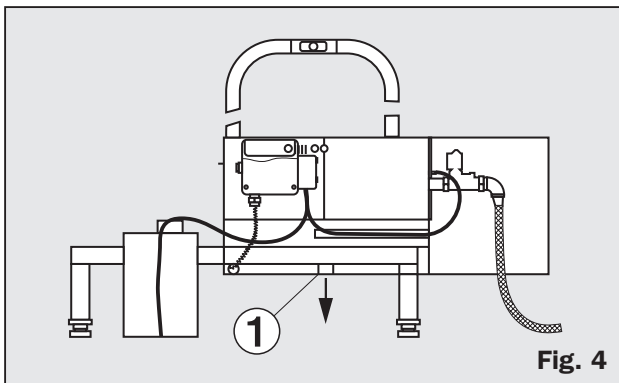


Fig. 4

5. Water drainage

(cf. fig. 4)

Dirty water is drained off through the pipe socket (1) to the floor.

Pipe socket diameter outside 70 mm, inside 66 mm, length 58 mm.

6. Power connection

The machine comes with a cord of approx. 4m length, fitted with a 5-pole CEE connector (16 A). The customer must provide an appropriate CEE socket installed (400 VAC/16 A).

Motor / wheel brush rotates clockwise.

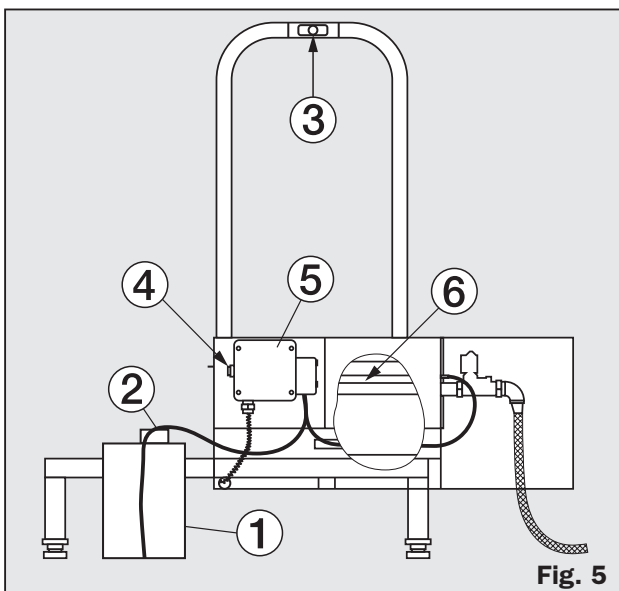


Fig. 5

7. Replacement of disinfectant tank

(cf. fig. 5)

- Place tank (1) with disinfectant next to the machine.
- Insert hose (2) into the tank down to base level; avoid kinks and bends.
- Press and continue to hold down the safety push button (3) and high-speed push button (4) on metering pump (5) until disinfectant flows out of the spray tube (6) without forming bubbles; afterwards release (3) and (4).

8. Metering pump adjustments

- Opening of the metering pump may only be carried out by qualified electrician.
- Caution! Components carry live voltage
- Volumetric displacement 0,01 - 0,5 l/min
- Follow disinfectant manufacturer's instructions for dosage and take samples

8.1 Increase dosage

(cf. fig. 6)

- Loosen cover screws and take off cover (1) of metering pump
- Turn "Hub" adjuster (2) clockwise with a screwdriver
- Remove pressure hose (3)
- Press safety push button (4) and place measuring cup (5) underneath the pressure nozzle (6)
- Adjust "Hub" (2) according to measurement results
- Re-assemble in reverse order

8.2 Decrease dosage

(cf. fig. 7)

- Loosen cover screws and take off cover (1) of metering pump
- Turn the "Hub" adjuster (2) counter-clockwise with a screwdriver
- Remove pressure hose (3)
- Press safety push button (4) and place measuring cup (5) underneath the pressure nozzle (6)
- Adjust "Hub" (2) according to measurement results
- In case the dosage is still too high when using setting "Hub=1" adjust "Frequenz" (7) counter-clockwise
- Re-assemble in reverse order

NEPTUN I

Sole cleaning unit
Art.-No.: 84-620

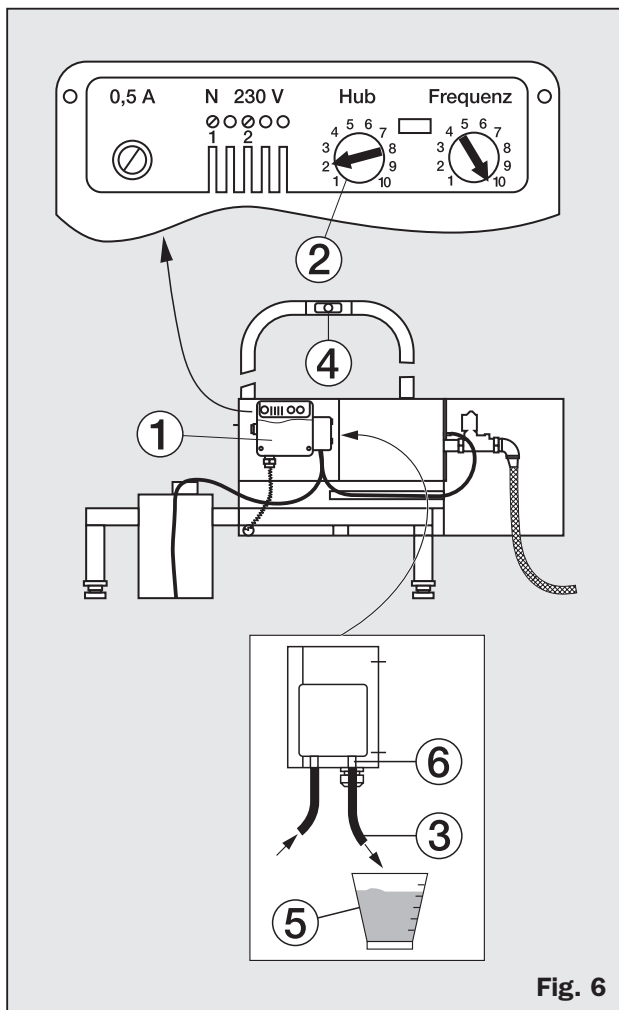


Fig. 6

9. Initial start-up

After power and liquid connections have been made follow these steps:

- Hook the protective cover into carriers
- Insert gratings into carriers
- Turn on water tap
- Plug in main power supply
- Carry out test run
- Place machine on platform
- Firmly grasp retaining bracket
- Step on grating in the cleaning area with one foot at a time
- Press safety push button and release button after a short runtime

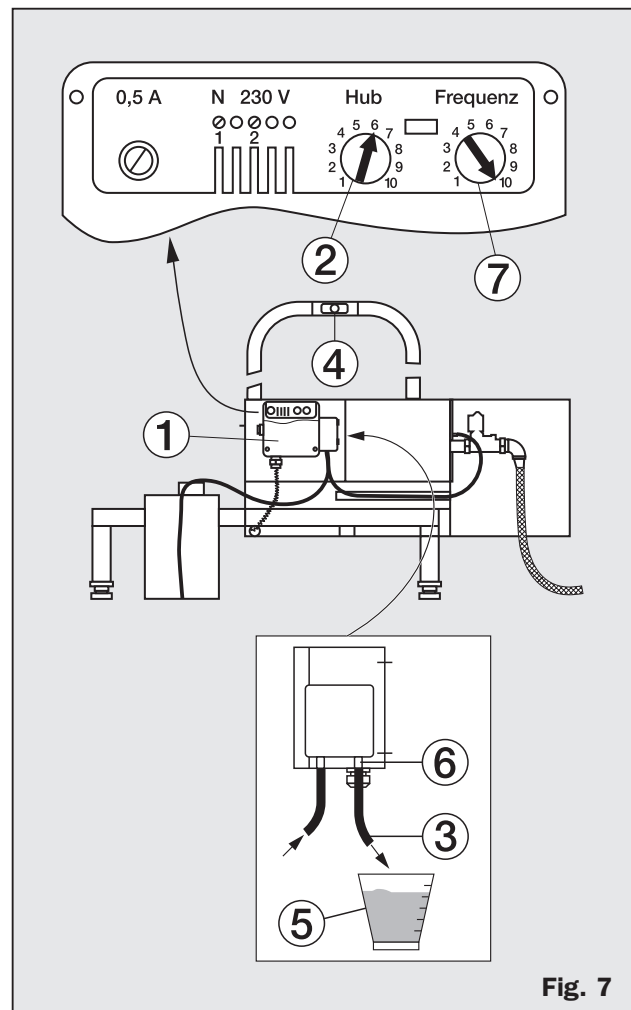


Fig. 7

10. Normal Operation

- Enter platform
- Firmly grasp retaining bracket
- Step on grating in the cleaning area with one foot at a time
- Press safety push button and release the button after cleaning process

11. Safety Instructions

- Operation not permitted without protective cover in proper position
- Do not start a cleaning process without grating in its proper place
- Do NOT touch rotating brushes either with bare hands or wearing gloves
- The machine must only be used for cleaning the soles of boots, working and safety shoes
- Disconnect mains plug prior to carrying out any maintenance or repair work

NEPTUN I

Sole cleaning unit

Art.-No.: 84-620



12. Fuse replacement in metering pump

(cf. fig. 8)

- Opening the metering pump may only be carried out by a qualified electrician
- Caution! Components carry live voltage
- Loosen cover screws and take off cover (1) of metering pump
- Loosen protective cap (2) with slide catch by pressing down and turning slightly counter-clockwise
- Remove defective fuse and insert new fuse of identical rating (M 0,5A /250 V/C)
- Re-assemble in reverse order

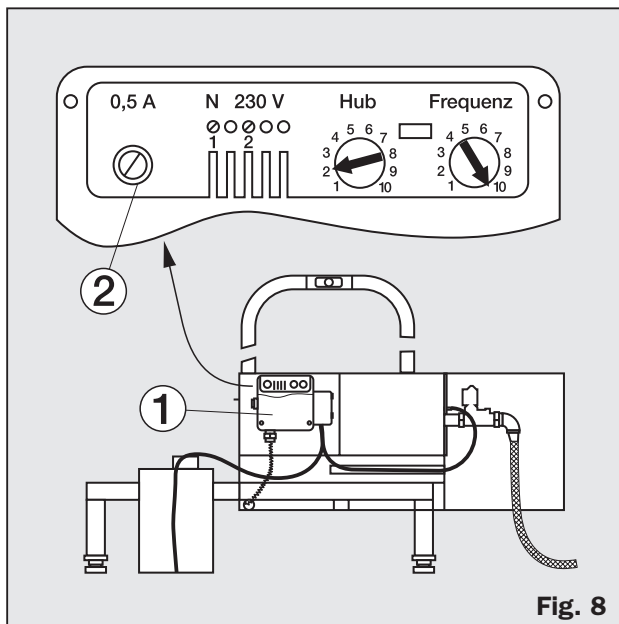


Fig. 8

13. Cleaning

- The machine must only be cleaned when turned off and not running
- Cleaning intervals depend on individual usage and requirements
- In case the machine is heavily soiled it should be cleaned inside and outside

14. Maintenance

- The machine must only be maintained when turned off and not running
- Check hoses and make sure they fit tightly and are leak-proof otherwise replace them
- Check metering pump on casing for possible leakage
- Make sure the safety push button runs smoothly
- Replace brush if worn with use

15. Warranty

We guarantee our products are free of manufacturing and material faults. Warranty extends to 6 months on electrical components and to one year on metal components commencing on the day of dispatch from the supplier's premises or depot. Changes or modifications made by customers to our products without our prior consent thereto given in writing will void the guarantee.

Not following the operating instructions will also void the warranty.

NEPTUN I

Sole cleaning unit
Art.-No.: 84-620



16. Troubleshooting

Error	Cause	Solution
- Brush does not rotate	<ul style="list-style-type: none"> - Mains plug not plugged in - Safety push button defective - Transformer fuse has triggered - Motor too hot, thermostat has triggered 	<ul style="list-style-type: none"> - Plug in main power supply - Have button checked by qualified electrician; replace if necessary - Have it checked by qualified electrician - Have it checked by qualified electrician
- No Water	<ul style="list-style-type: none"> - Gate valve closed - Hose removed from nozzle - Hose defective - Solenoid valve fails to open 	<ul style="list-style-type: none"> - Open gate valve (max. pressure 3 bar) - Make sure hose is fixed tightly to nozzle - Replace hose - Replace solenoid valve /notify HEUTE-Service
- No disinfectant	<ul style="list-style-type: none"> - Storage tank empty - Suction hose not inserted down to base - Metering pump fails to run - Metering pump runs but no delivery 	<ul style="list-style-type: none"> - Fill up storage tank or replace (refer to 7. Replacement of tank with disinfectant) - Insert suction hose down to base (refer to 7. Replacement of tank with disinfectant) - Refer to 12. Fuse replacement in metering pump - Pump hose defective, replace / notify HEUTE-Service

17. Spare parts (cf. fig. 9)

Pos.	Art. Nr.	Quantity	Description
1	MG.03.201	1	Three-phase a.c. motor
2	SB.10.022	1	Metering pump
3	EM.01.005	1	Solenoid valve, G1/2"-24VAC
4	ES.09.424	1	Safety push button
5	KG.01.021	3 m	Hose, Di 6 x 1,5 mm
6	80.05.001.053	1	Disk brush, D 180 mm

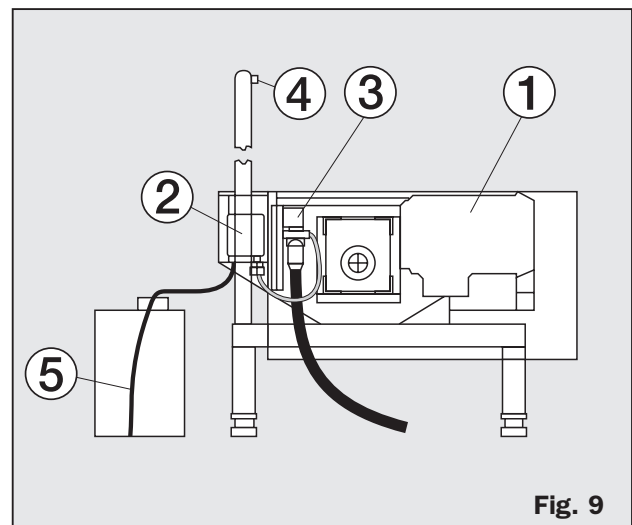


Fig. 9

Product specifications and design subject to change without notice.

NEPTUN I

Sole cleaning unit
Art.-No.: 84-620



18. Circuit diagram

Erklärung zu den Bezeichnungen an den Symbolen

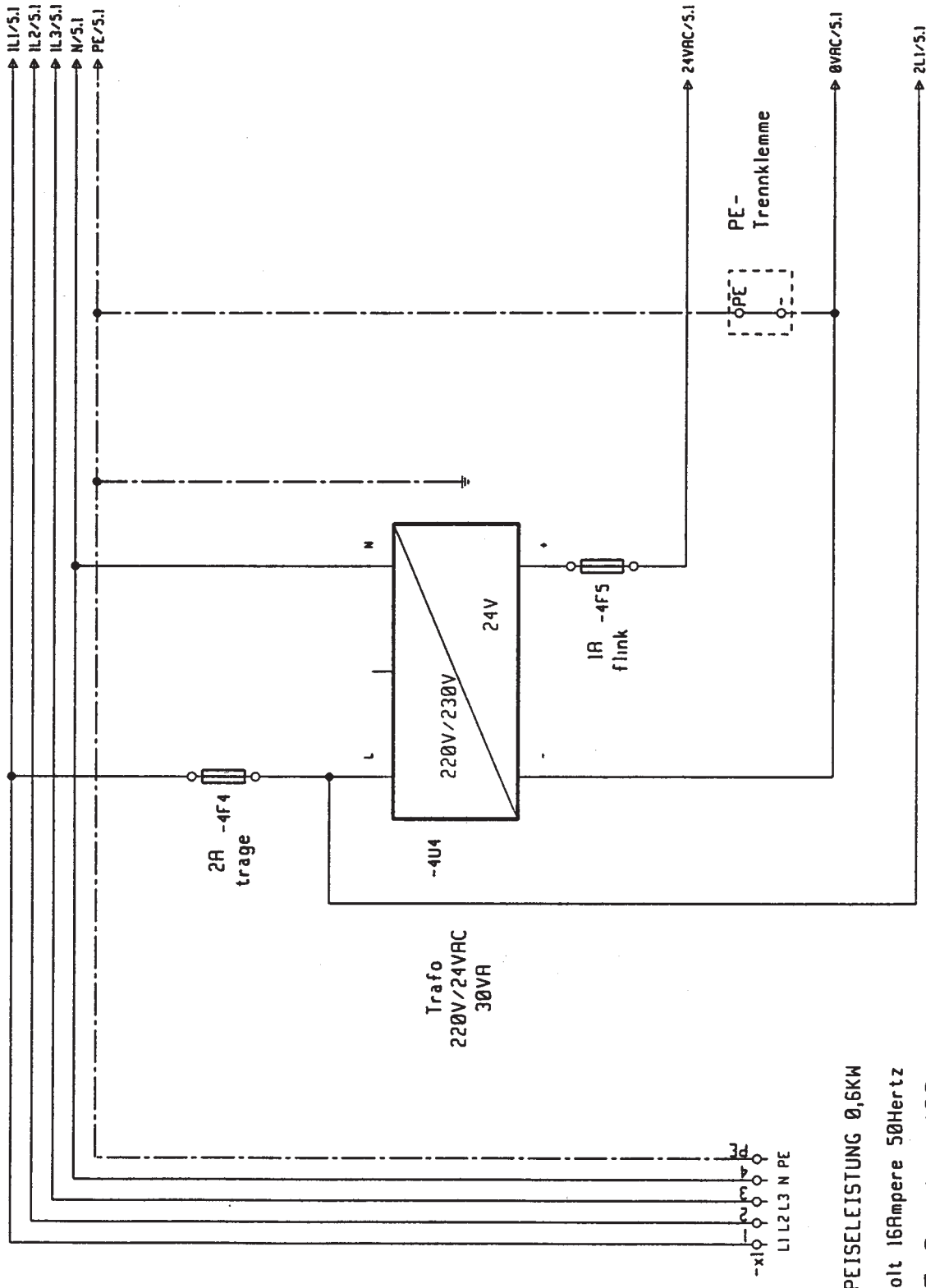
+S	= Schaltschrank	Y	= Magnetventil
+A	= Anlage allgemein	S	= Schalter jeglicher Art
+BT	= Bedientableau	B	= Sensor
		H	= Meldeleuchten
		K	= Relais oder Schutz
		X	= Klemmleiste
		Q	= Motorschutzschalter
		U	= Transformator
		F	= Sicherung
		R	= Widerstand
		M	= Motor

NEPTUN I

Sole cleaning unit
Art.-No.: 84-620



18. Circuit diagram



EINSPEISELEISTUNG 0,6KW
400Volt 16Ampere 50Hertz
CEE-Stecker 16A

**Contact us for service, spare parts
and additional information:**



**Maschinenfabrik
Heute GmbH & Co. KG
Germany**

Postal address:
P.O.Box 10 05 07
42605 Solingen · Germany

Address:
Weinsbergtalstrasse 2-6
42657 Solingen · Germany

Phone:
+49 (0) 212-3 80 31-13/14

Fax:
+49 (0) 212-81 80 85

E-mail:
export@heute-gmbh.de

Internet:
www.heute-gmbh.de