

NEPTUN II

Boot Washing Machine
Art.-No.: 85-620



Assembly and Operation Instructions

Carefully read through these Instructions prior to assembling and putting into service and keep in a safe place for future reference.

Contents

1. General
2. Method of Functioning
3. Installation
4. Water Connection
5. Water Drainage
6. Power Connection
7. Replacement of Tank with Disinfectant
8. Metering Pump Adjustments
9. Putting into Initial Operation
10. Normal Operation
11. Safety Instructions
12. Fuse Replacement on Metering Pump
13. Cleaning
14. Maintenance
15. Warranty
16. Trouble Shooting
17. Spare Parts / Service
18. Electric Circuit Diagram

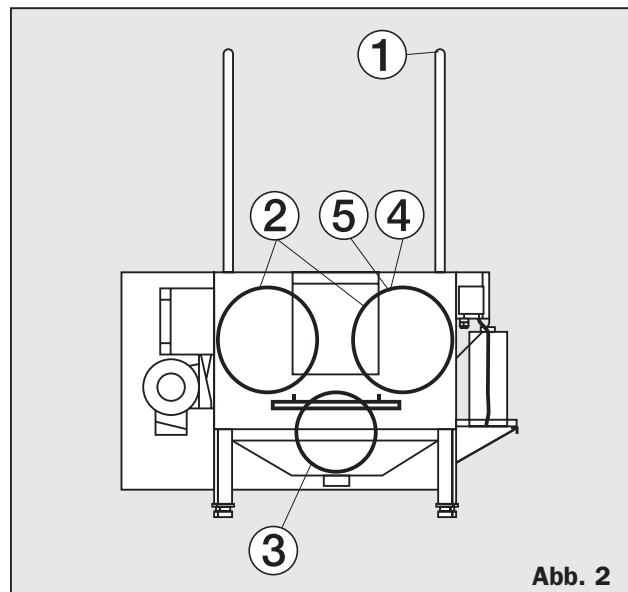
1. General

The HEUTE-Boot Washing Machine is used to effect simultaneous cleaning and disinfection of soiled or contaminated rubber boots.

2. Method of Functioning

(refer to Fig. 2)

Pressing the safety pushbutton (1) causes three round brushes (2 and 3) to rotate. At the same time, water is sprayed from out of spray tubes (4) and disinfectant from out of spray tube (5) onto the rotating brushes. In this way the boots are given a simultaneous cleaning and disinfecting.



3. Installation

After the machine has been set up and positioned on the desired installation site, proceed to effect horizontal alignment.

Any floor unevenness can be compensated up to 15 mm by screwing out the threaded base supports.

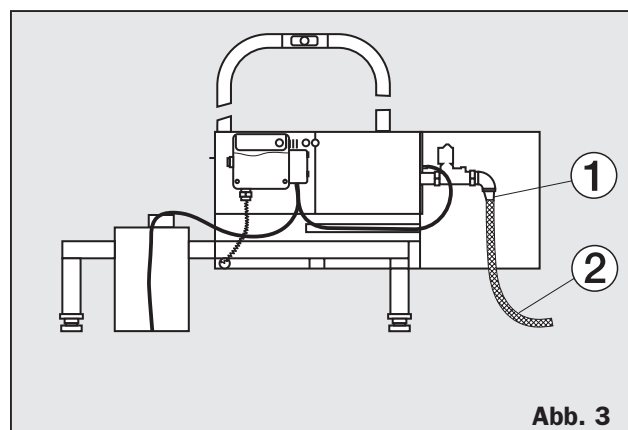
4. Water Connection

(refer to Fig. 3)

The client is responsible for providing the water connection which needs to be done by a qualified technician. For the washing operation, use is made of cold or hot water (approx. 45 °C).

Working pressure: max 3 bar

- Lift up protective guard
- Connect up 1/2" hose (2) revealing adequate length and resistant to pressure or changes in temperature; avoid kinks and bends.
- Fit Hose (2) over nozzle (1) of solenoid valve up to limit stop and secure in position with hose clamp.



NEPTUN II

Boot Washing Machine
Art.-No.: 85-620



5. Water Drainage

(refer to Fig. 4)

Dirty water is drained off through the pipe socket (1) outside dia. 70 mm, inside dia. 66 mm, length 27 mm.

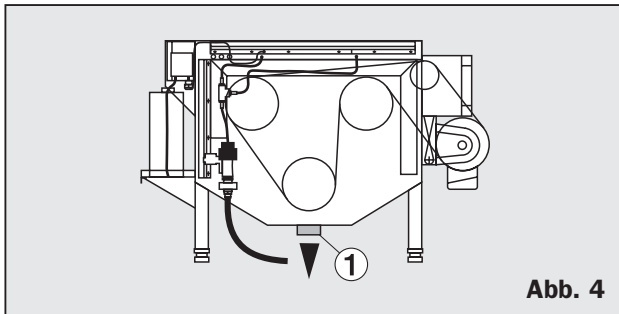


Abb. 4

6. Power Connection

Attached to the machine is a cord, approx. 4 m in length, fitted with a 5-pole CEE connector (16 A). The client is required to provide an appropriate CEE socket (400 VAC/16 A) and have the same installed by a qualified electrician in accordance with VDE regulations. Motor turns in clockwise direction. Direction of rotation on round brushes (viewed from operation side):
Round Brush (1) = in clockwise direction
Round Brush (2) = in counter-clockwise direction
Round Brush (3) = in counter-clockwise direction

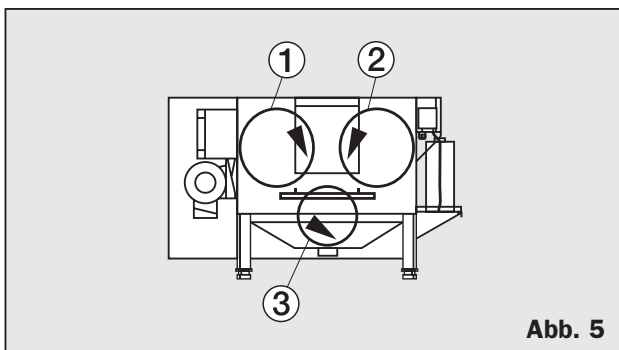
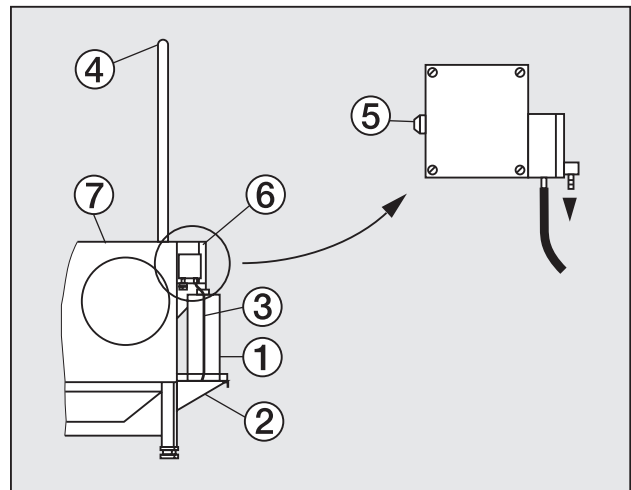


Abb. 5

7. Replacement of Tank with Disinfectant

(refer to Fig. 6)

- Place tank (1) with disinfectant on mounting bracket (2)
- Insert suction hose (3) in tank down to base level, avoiding kinks or bends.
- Press and continue to hold down the safety pushbutton (4) and high-speed pushbutton (5) on metering pump (6) until disinfectant flows out of the spray tube (7) without forming bubbles; afterwards release (4) and (5).



NEPTUN II

Boot Washing Machine
Art.-No.: 85-620

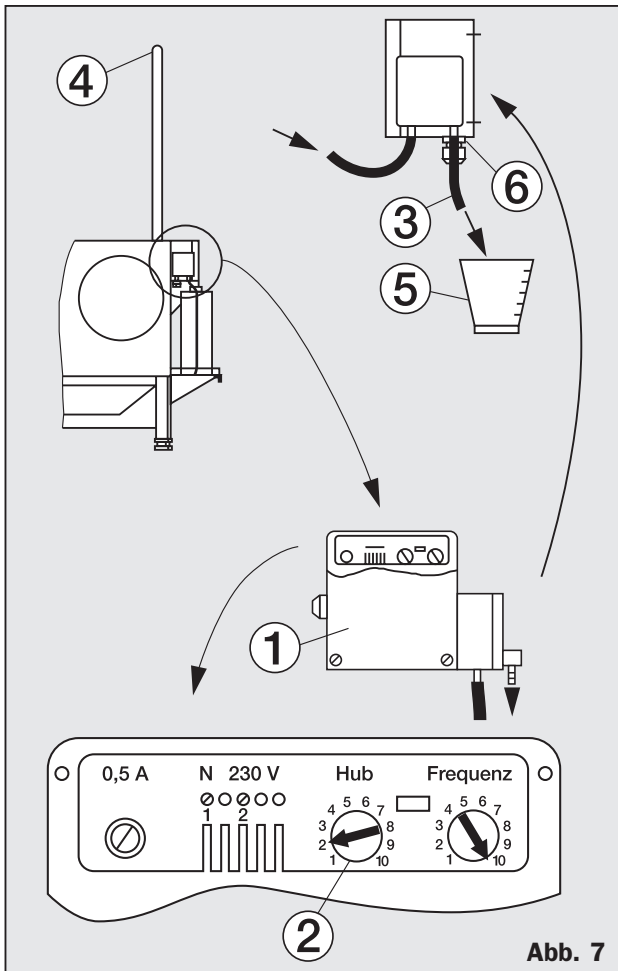


Abb. 7

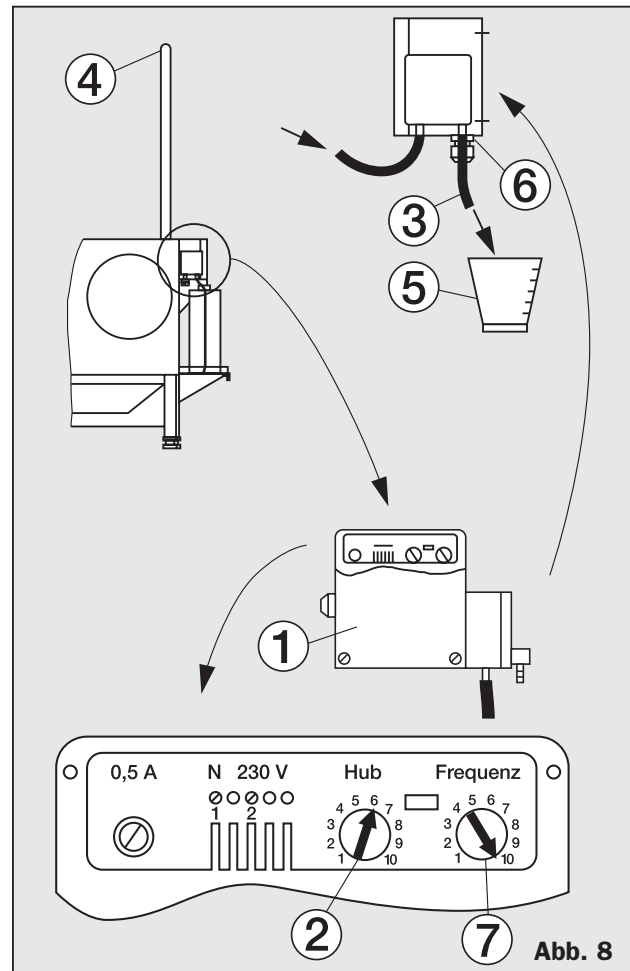


Abb. 8

8. Metering Pump Adjustments

- Opening of the metering pump may only be carried out of qualified electrician.
- Caution! Components carry live voltage
- Volumetric displacement 0,01 - 0,5 l/min
- Observe metering in accordance with disinfectant manufacturer's instructions and carry out sample checks.

8.1 Increasing Delivery on the Metering Pump

(refer to Fig. 7)

- Loosen cover screws and take off cover (1) of metering pump.
- Turn the "stroke" regulation wheel (2) in the clockwise direction using a screwdriver.
- Remove pressure hose (3).
- Press safety pushbutton (4) and hold measuring beaker (5) underneath the pressure connection nozzle (6) of the metering pump.
- Carry out adjustments on "stroke" regulating wheel (2) in accordance with results of measurement
- Re-assemble in reverse order.

8.2 Decreasing Delivery on the Metering Pump

(refer to Fig. 8)

- Loosen cover screws and take off cover (1) of metering pump.
- Turn the "stroke" regulating wheel (2) in the counter-clockwise direction using a screwdriver.
- Remove pressure hose (3).
- Press safety pushbutton (4) and hold measuring beaker (5) underneath the pressure connection nozzle (6) of the metering pump.
- Carry out adjustments on "stroke" regulating wheel (2) in accordance with results of measurement. (If the rate of delivery on the metering pump is still too high when adjusting "stroke 1", re-adjust "frequency" regulating wheel (7) in counter-clockwise direction).
- Re-assemble in reverse order.

NEPTUN II

Boot Washing Machine

Art.-No.: 85-620



9. Putting into Initial Operation

After all connections have been made by the respective qualified technicians, the machine can be put in operation.

- Hook the protective guard into position in the receptacles.
- Insert gratings in receptacles
- Turn on water tap
- Plug in mains plug.
- Carry out trial wash.
- Place on platform
- Firmly grasp the holding stirrups with both hands.
- Actuate grating in cleaning chamber with one leg.
- After the brush has come to a standstill change leg and repeat washing process.

10. Normal Operation

- Place on platform
- Firmly grasp the holding stirrups with both hands.
- Actuate grating in cleaning chamber with one leg.
- Press safety pushbutton and release after a short running period.
- After the brush has come to a standstill change leg and repeat washing process.

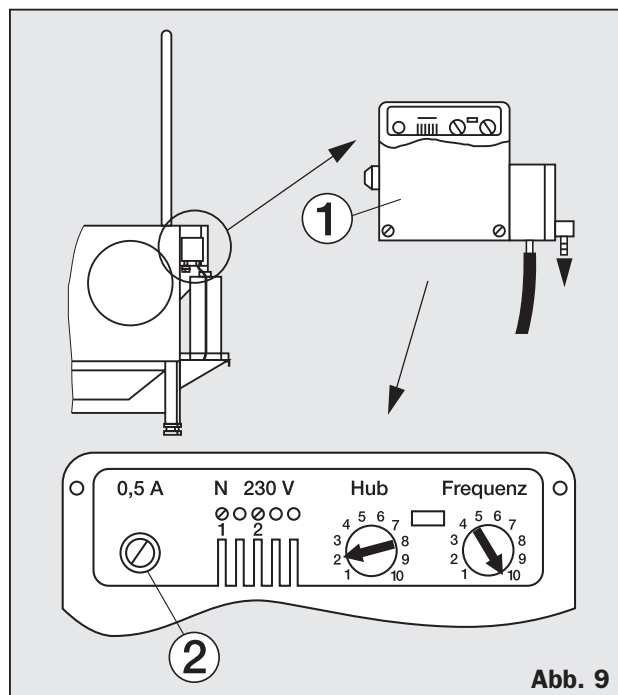
11. Safety Instructions

- Operation not permitted without protective guard placed in position.
- Boot washing not permitted without grating in position
- While the brushes are rotating, these must not be touched either by the bare hands or wearing gloves.
- The machine must only be used for cleaning the rubber boots.
- Disconnect mains plug prior to carrying out any maintenance or repair work

12. Fuse Relacement on Metering Pump

(refer to fig. 9)

- Opening of the metering pump may only be carried out by a qualified electrician.
- Caution! Components carry live voltage!
- Loosen cover screws and take off cover (1) of metering pump.
- Loosen protective cap (2) with slide catch by pressing down and turning slightly in the counter-clockwise direction.
- Remove defective fuse.
- Insert new fuse of identical rating (M 0,5A/250V/C)
- Re-assemble in reverse order.



13. Cleaning

- The Machine must only be cleaned when stationary
- Cleaning intervals will depend on individual use and requirements.
- In the case of heavy contamination, cleaning should be effected inside and outside.

14. Maintenance

- Check hoses for tight fit as well as for airtightness,
- Only check V-belt for tension (without slippage!) when the machine is stationary and the mains plug is disconnected!
- Check metering pump on casing for possible leakage.
- Check ease of action on safety pushbutton.
- Replace brush if showing signs of considerable wear.

15. Warranty

We warrant our products to be free of manufacturing and material faults. Warranty extends to 6 months on electrical components and to one year on metal components, commencing in each case on the day of dispatch from the supplier's premises or depot. Changes or modifications made by customers to our products without our prior consent thereto given in writing will render the warranty null and void. We refuse any warranty in case of faults arising due to a non-observance of the operating instructions.

NEPTUN II

Boot Washing Machine
Art.-No.: 85-620



16. List of Faults for Troubleshooting

Error	Cause	Solution
- Brush does not rotate	<ul style="list-style-type: none"> - Mains plug not plugged in - Safety push button defective - Transformer fuse has triggered - Motor too hot, thermostat has triggered 	<ul style="list-style-type: none"> - Plug in main power supply - Have button checked by qualified electrician; replace if necessary - Have it checked by qualified electrician - Have it checked by qualified electrician
- No Water	<ul style="list-style-type: none"> - Gate valve closed - Hose removed from nozzle - Hose defective - Solenoid valve fails to open 	<ul style="list-style-type: none"> - Open gate valve (max. pressure 3 bar) - Make sure hose is fixed tightly to nozzle - Replace hose - Replace solenoid valve / notify HEUTE-Service
- No disinfectant	<ul style="list-style-type: none"> - Storage tank empty - Suction hose not inserted down to base - Metering pump fails to run - Metering pump runs but no delivery 	<ul style="list-style-type: none"> - Fill up storage tank or replace (refer to 7. Replacement of tank with disinfectant) - Insert suction hose down to base (refer to 7. Replacement of tank with disinfectant) - Refer to 12. Fuse replacement in metering pump - Pump hose defective, replace / notify HEUTE-Service

17. Spare Parts (refer to Fig. 10)

Pos.	Art. Nr.	Quantity	Description
1	MG.02.021	1	Spurwheel back-gearred motor
2	AE.04.161	1	V-belt
3	82.99.016.023	2	Round brush top D 300
4	82.99.016.024	1	Round brush bottom D 200
5	SB.10.022	1	Metering pump
6	EM.01.005	1	Solenoid valve G1/2"-24 VAC
7	KG.01.035	2,5 m	Hose 9 x 3 mm
8	KG.01.021	2,0 m	Hose 6 x 1,5 mm
9	ES.09.424	1	Safety pushbutton

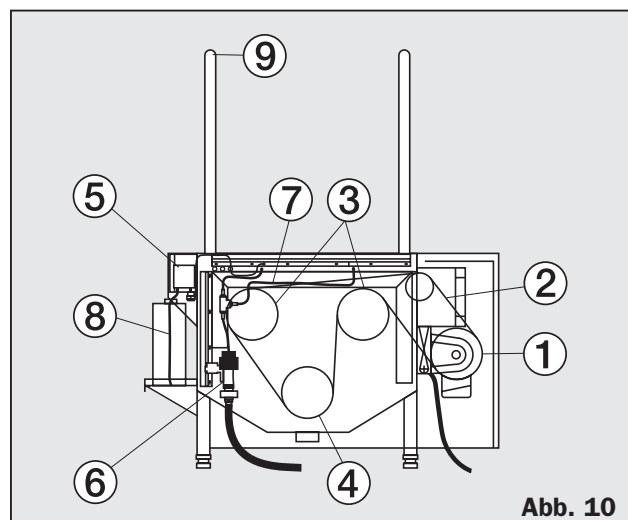


Abb. 10

We reserve the right to make changes or alterations without notice!

NEPTUN II

Boot Washing Machine
Art.-No.: 85-620

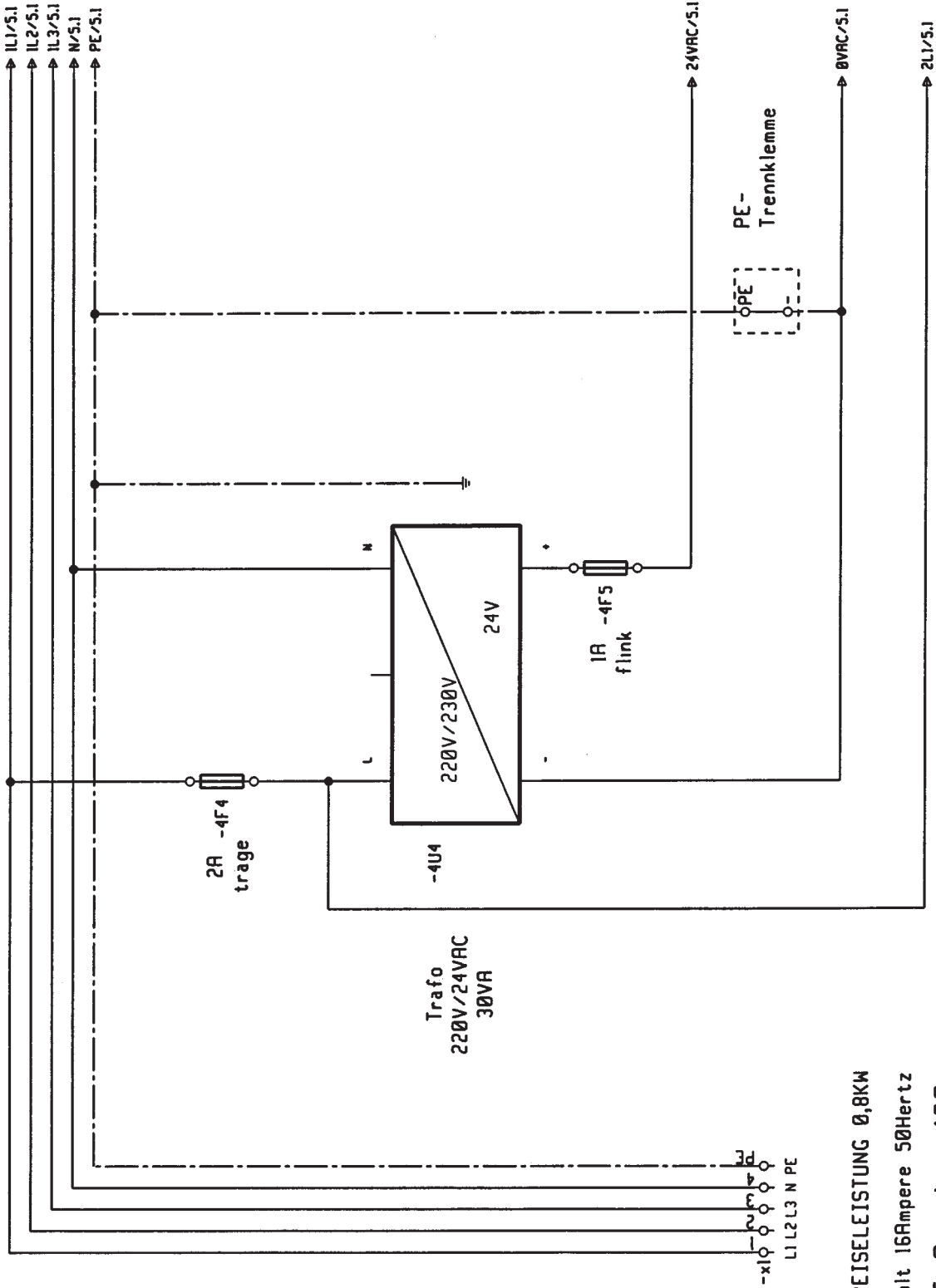


Erklärung zu den Bezeichnungen an den Symbolen

+S	= Schaltschrank	Y	= Magnetventil
+A	= Anlage allgemein	S	= Schalter jeglicher Art
+BT	= Bedientableau	B	= Sensor
		H	= Meldeleuchten
		K	= Relais oder Schutz
		X	= Klemmleiste
		Q	= Motorschutzschalter
		U	= Transformator
		F	= Sicherung
		R	= Widerstand
		M	= Motor

NEPTUN II

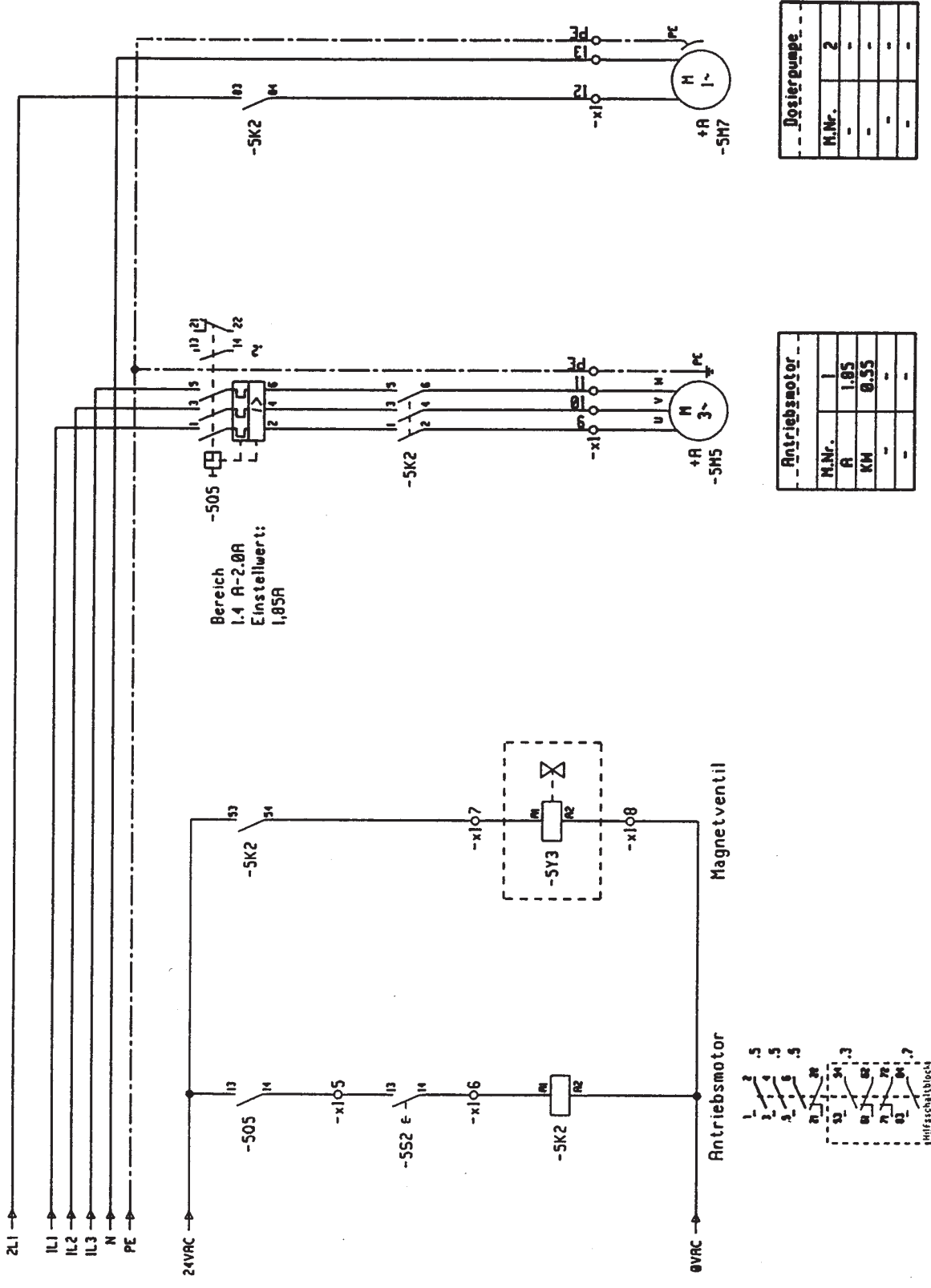
Boot Washing Machine
 Artikel-Nummer: 85-620



EINSPEISELEISTUNG 0,8KW
 400Volt 16Ampere 50Hertz
 CEE-Stecker 16A

NEPTUN II

Boot Washing Machine
 Artikel-Nummer: 85-620

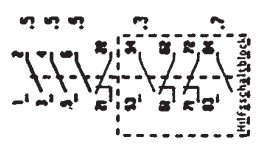


--- Antriebsmotor ---

M.Nr.	1
A	1.85
KH	0.55
	-
	-

--- Dosierpumpe ---

M.Nr.	2
	-
	-
	-



**Contact us for service, spare parts
and additional information:**



**Maschinenfabrik
Heute GmbH & Co. KG
Germany**

Postal address:
P.O.Box 10 05 07
42605 Solingen · Germany

Address:
Weinsbergtalstrasse 2-6
42657 Solingen · Germany

Phone:
+49 (0) 212-3 80 31-13/14

Fax:
+49 (0) 212-81 80 85

E-mail:
export@heute-gmbh.de

Internet:
www.heute-gmbh.de